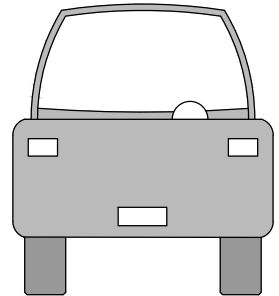
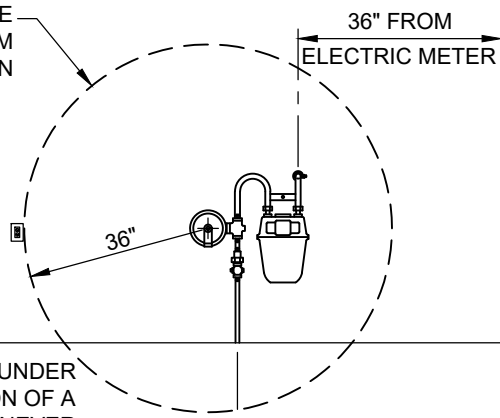
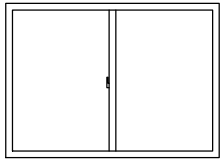


REGULATOR VENTS SHALL BE
A MINIMUM OF 36" FROM
POTENTIAL SOURCES OF IGNITION



DO NOT LOCATE METER SET ASSEMBLY UNDER
OR IN FRONT OF OPENING PORTION OF A
WINDOW OR EMERGENCY FIRE EXIT. WHENEVER
POSSIBLE, LOCATE AWAY FROM DOORS,
BUILDING OVERHANGS, AND INTAKE DUCTS.

PROTECTED FROM
VEHICLE TRAFFIC